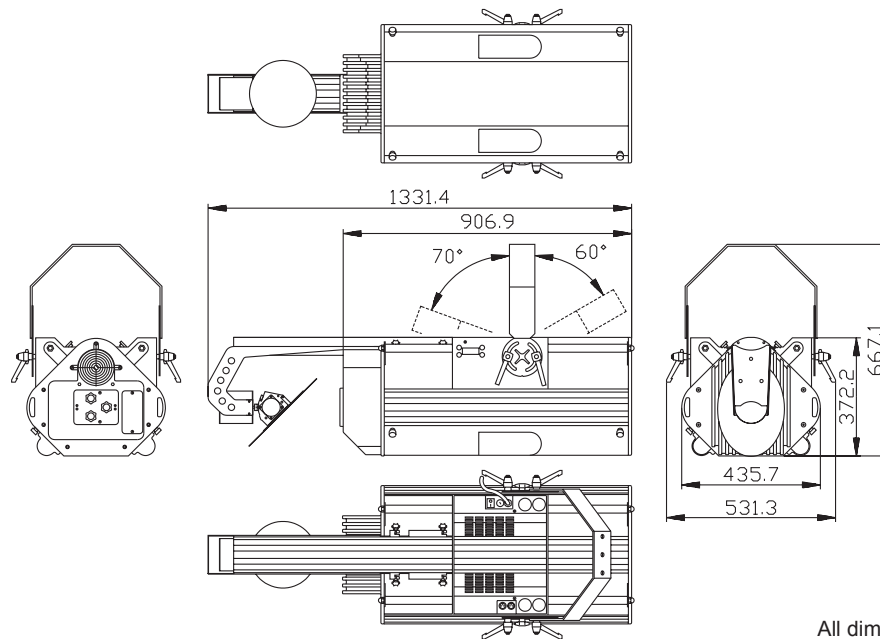


# appendix b TECHNICAL SPECIFICATIONS



All dimensions in mm.

## Physical

- Length ..... 1331 mm (52.4 in.)
- Width..... 436 mm (17.2 in.)
- Height..... 372 mm (14.6 in.)
- Weight (PAL 1200, PAL 1200 FX)..... 61 kg (135 lbs)
- Weight (PAL 1200 E)..... 55 kg (121 lbs)

## Lamp

- Philips MSR 1200 ..... 750 h, 6000K, 92 lm/W
- Osram HSR 1200 ..... 800 h, 6000K, 92 lm/W

## Performance

- Light output, + diffuser - condenser (standard) ..... 9800 lumens
- Light output, + diffuser + condenser ..... 13,500 lumens
- Light output, - diffuser - condenser ..... 12,700 lumens
- Light output, - diffuser + condenser ..... 16,000 lumens

## Gobos

- Size (metal) ..... D
- Size (glass) ..... 50 mm +0/-0.3 mm (1.968 in. +0/-0.012 in.)
- Maximum image diameter ..... 40 mm
- Glass type..... high temperature Borofloat or better
- Coating ..... chrome, enhanced aluminum recommended if condenser installed

## Thermal

- Maximum ambient temperature ( $T_a$ )..... 40° C (104° F)
- Maximum surface temperature ..... 80° C (176° F)

## Control and programming

- Data pinout..... pin 1 shield, pin 2 hot (+), pin 3 cold (-)
- Receiver ..... Opto-isolated RS-485
- Protocols ..... USITT DMX-512 (1990), Martin RS-485

## Connections

- AC input ..... 1.5 m trailing cable w/o cord cap
- Data input ..... 3 pin XLR male
- Data output ..... 3 pin XLR female

## Maximum power and current

- @ 100 V, 50 Hz ..... 1500 W, 18 A
- @ 120 V, 60 Hz ..... 1500 W, 15 A
- @ 215 V, 60 Hz ..... 1500 W, 9 A
- @ 230 V, 50 Hz ..... 1500 W, 8 A
- @ 250 V, 60 Hz ..... 1500 W, 7 A

## Construction

- Housing ..... aluminum
- Metal finish ..... electrostatic powder coating
- Protection factor ..... IP 20

## Installation

- Orientation ..... any
- Minimum distance to combustible materials ..... 0.5 m (20 in)
- Minimum distance to illuminated surfaces ..... 1.0 m (39 in)

## Accessories

- Philips MSR 1200 lamp ..... 97010303
- Standard floor stand ..... 91606001
- V-model floor stand ..... 91606004
- Break-proof mirror ..... 00500065
- Short mounting bracket ..... 91606000
- 10° - 14° narrow angle kit ..... 91610000
- 26° - 35° wide angle kit ..... 91610006
- Condenser lens ..... 91610004

## 52 x 52 x 1.1 mm color filters

Color	P/N	Color	P/N
3500 - 5600K CTC	46403139	5500 - 3400K CTC	46403101
Red 301	46403102	Blue 101	46403105
Red 304	46403131	Blue 102	46403106
Red 305	46403132	Blue 103	46403107
Red 308	46403133	Blue 104	46403108
Red 309	46403134	Blue 105	46403109
Green 201	46403114	Blue 106	46403110
Green 202	46403115	Blue 107	46403104
Green 203	46403116	Blue 108	46403111
Green 204	46403117	Blue 111	46403112
Green 205	46403118	Orange 302	46403124
Green 206	46403103	Orange 306	46403125
Green 208	46403119	Purple 502	46403129
Magenta 501	46403120	Purple 509	46403130
Magenta 504	46403121	Cyan 401	46403113
Magenta 505	46403122	Yellow 601	46403135
Magenta 507	46403123	Yellow 602	46403136
Pink 303	46403126	Yellow 603	46403137
Pink 307	46403127	Yellow 604	46403138
Pink 312	46403128	1/2 minus green	46403141